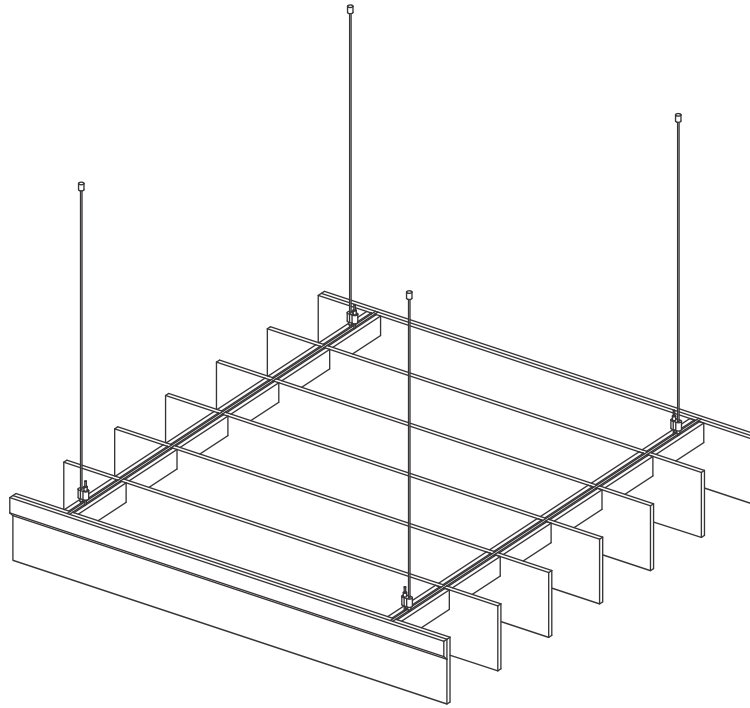
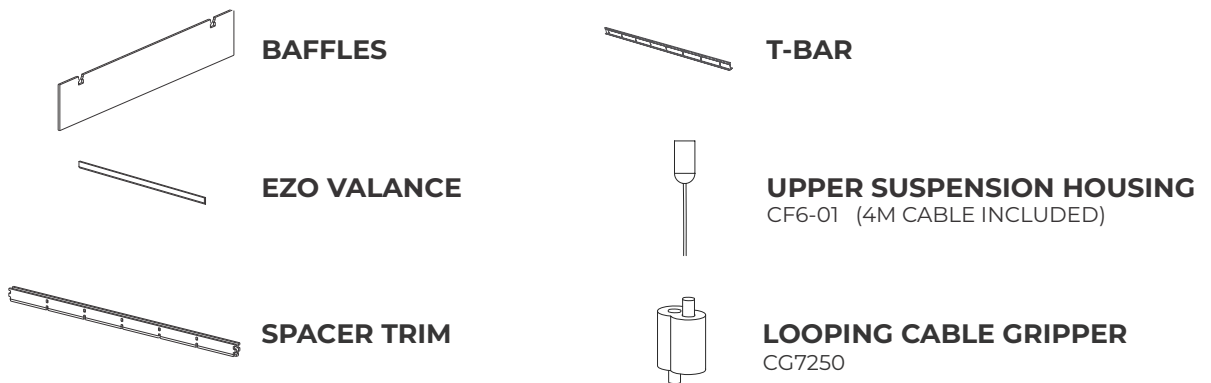


INSTALLATION INSTRUCTIONS

BAFFLE CLOUD



PARTS & HARDWARE



*Images reflect typical hardware options. Please refer to packing list for items & quantities specific to your order

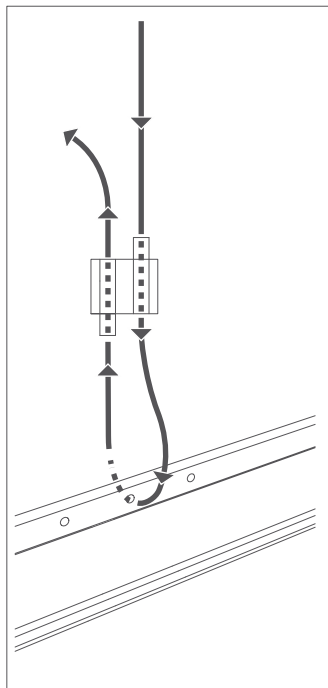
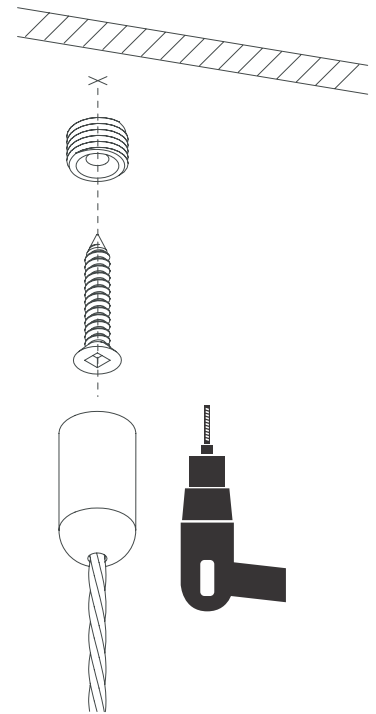
RECOMMENDED TOOLS

Drill - Level - Laser - Wire Cutter

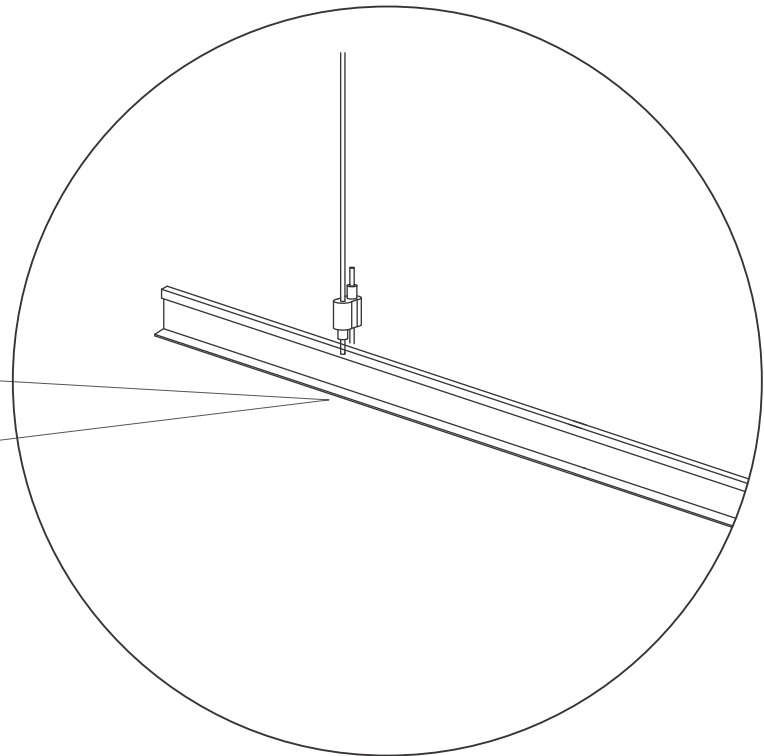
INSTALLATION INSTRUCTIONS

BAFFLE CLOUD

- 1** Clear appropriate sized floor space below install location.
*Confirm the install location and the direction the Baffle Cloud.
- 2** Locate available suspension points on ceiling in relation to Baffle Cloud suspension locations.
- 3** Screw the CF6-01 UPPER SUSPENSION HOUSING to the ceiling
(*Screws, hand drill not included.)



- 4** Loop the cable of CF6-01 through the holes on the T-BARS with the CG7250 LOOPING CABLE GRIPPER.

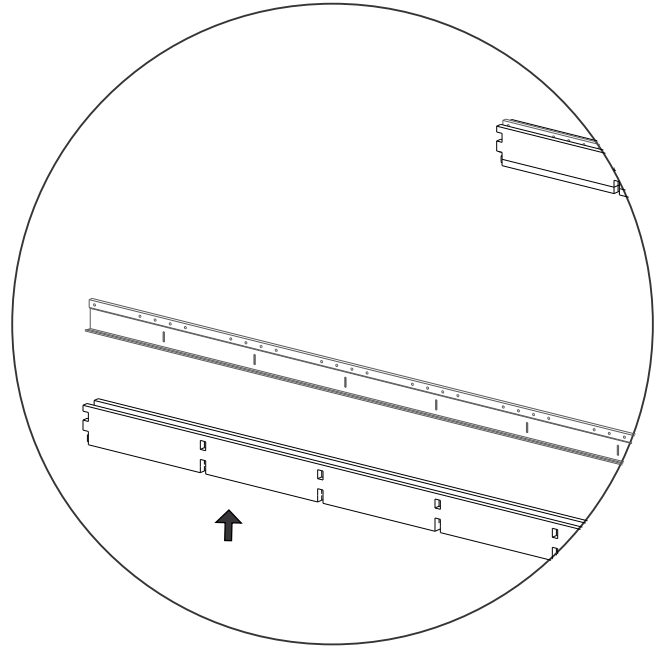
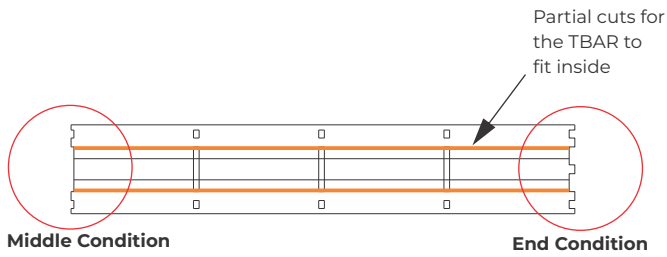


- 5** Adjust the cables to level BAFFLE CLOUD by pulling the cable coming out of the CG7250 LOOPING CABLE GRIPPER up to the desired final height.

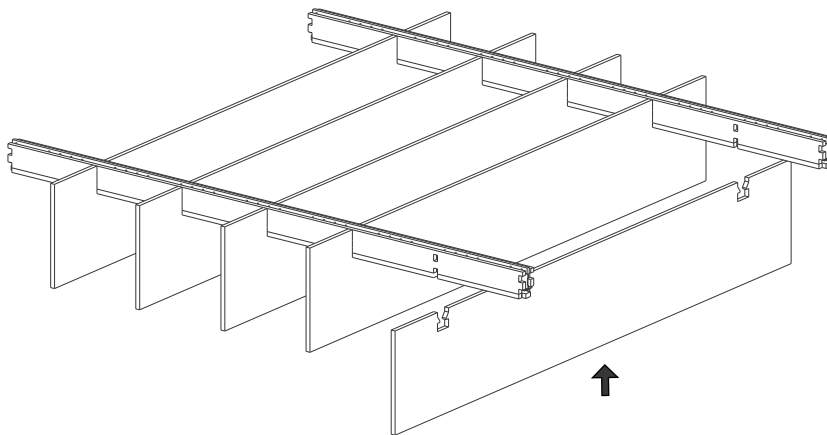
INSTALLATION INSTRUCTIONS

BAFFLE CLOUD

- 6** The spacers wrap around the bottom of the T-bar and pressure fit into the cut slits on each side of the inside of the spacer. The spacers will facilitate the proper spacing between each baffle.



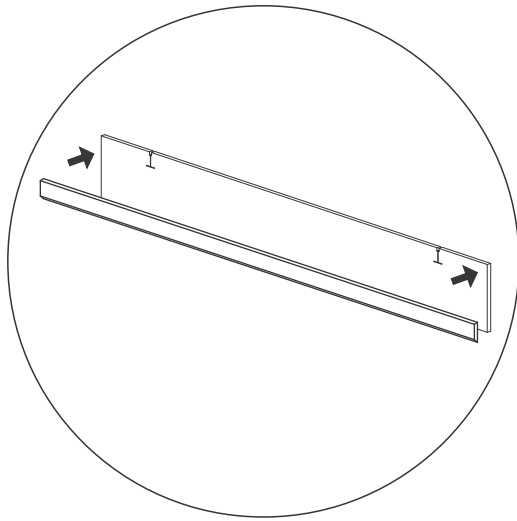
- 7** Place middle baffles



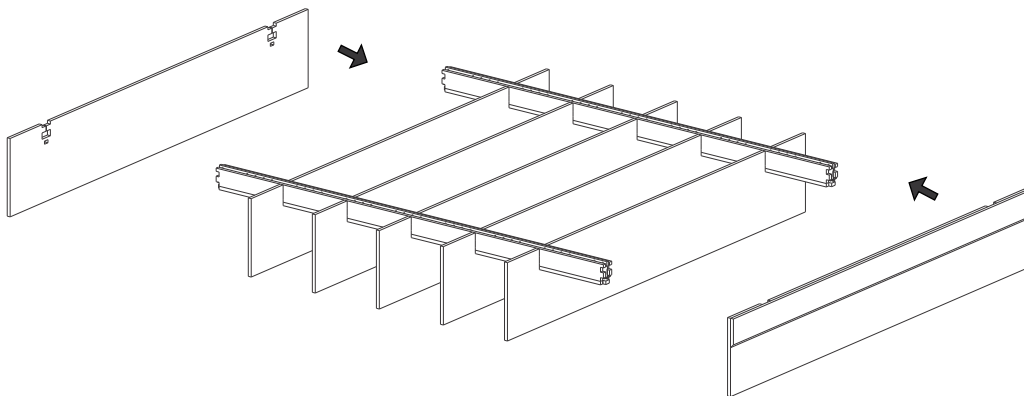
INSTALLATION INSTRUCTIONS

BAFFLE CLOUD

- 8** Install valance on end baffles

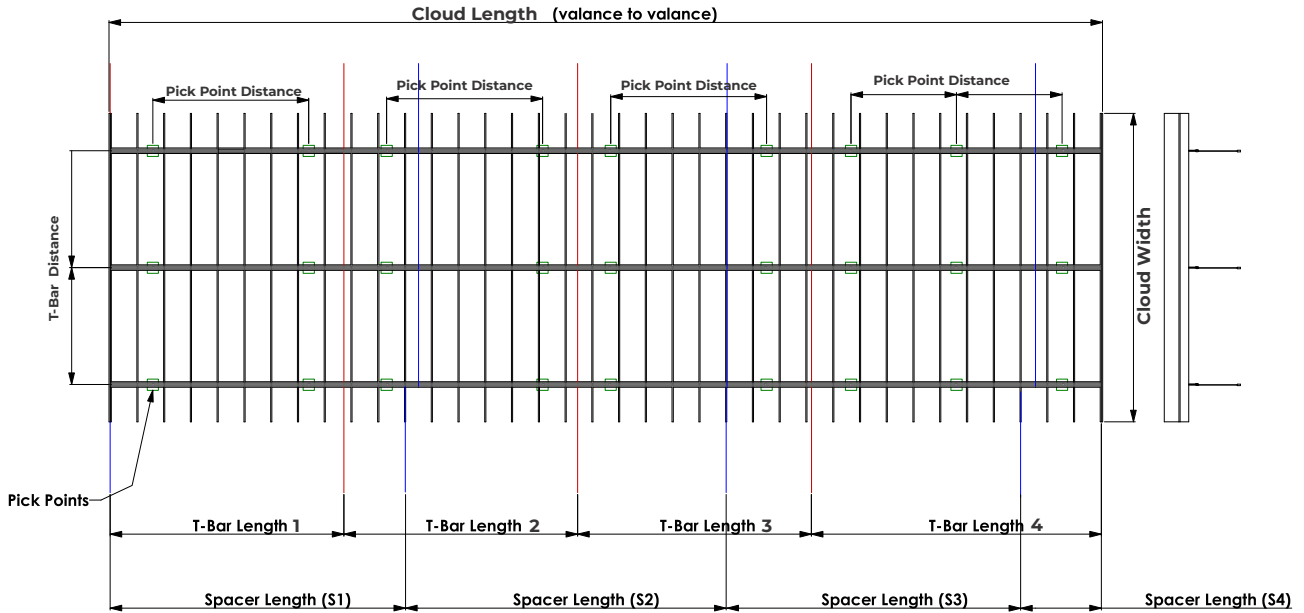


- 9** Push the end baffles onto the end of the T-Bar.

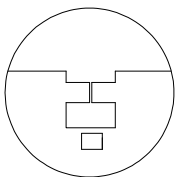
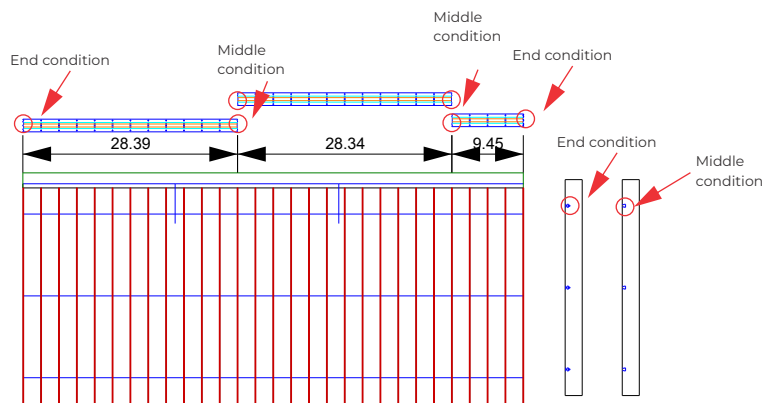


BAFFLE CLOUD

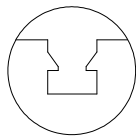
MULTIPLE PARTS CLOUDS



- T-Bar lengths of 72" except first and last piece which can be variable
Spacer lengths can be close to 95" or 107" (depending on thickness). Last and first piece can be variable.
- Spacers are coded by order of placement.
- There are two types of blades. End Baffle (the baffle that ends and starts the cloud) and Middle Baffle.
- Spacer might have different end conditions. Middle condition or end condition. End conditions always point to the beginning or end of cloud



End Baffle cutout



Middle Baffle cutout



Middle Condition

End Condition



DESIGN
DRIVEN
ACOUSTICS

CANADA

Ayrsonics Inc - Ontario

825 Trillium Drive
Kitchener, Ontario N2R 1J9
844-441-1122
sales@ayrsonics.com

Ayrsonics Inc - Alberta

292236 Nose Creek Boulevard
Building 1B, Unit #19
Rocky View County, AB T4A 3N7
844-441-1122
sales@ayrsonics.com

EzoBord Corporate Office

6845 Rexwood Road, Unit 7
Mississauga, ON L4V 1S5
416-665-3571
info@ezobord.com

UNITED STATES

Ayrsonics Midwest LLC

820 Tollgate Road
Elgin, IL 60123
800-517-0686
sales.amw@ayrsonicsusa.com

Ayrsonics Southwest LLC

8934 Eton Ave
Canoga Park, CA 91304
213-833-9700
sales.asw@ayrsonicsusa.com

Ayrsonics Southeast LLC

15 Enterprise Way
Dahlonega, GA 30533
706-539-4711
sales.ase@ayrsonicsusa.com

UNITED KINGDOM

EzoBord UK Limited

Unit 20, Westwood Business Park
Margate, Kent. CT9 4JJ
+44 1843-264027
sales@ezobord.co.uk

IRELAND

EzoBord Ireland Limited

Inniscarra, Main Street,
Rathcoole, Co. Dublin,
D24 EO29, Ireland
+353 1485-4774
sales@ezobord.ie

CENTRAL & LATIN AMERICA

EzoBord Costa Rica SRL

100 Sur 25 Oeste Recope
Bodega #16 Ochoмого, Cartago
+506 8842-4613
info-ebcr@ezobord.com

EzoBord - LATAM

Buenos Aires, Argentina
+54 9 11 5657-1793
info-latam@ezobord.com

FOLLOW US    